

## DS-2CD1643G0-I(Z) 4 MP Varifocal Bullet Network Camera



- High quality imaging with 4 MP resolution
- Efficient H.265+ compression technology
- Clear imaging even with strong back lighting due to 120 dB WDR
- Up to 256 GB SD card slot for storage
- 2.8 to 12 mm motorized varifocal lens for easy installation and monitoring
- Water and dust resistant (IP67)
- EXIR 2.0: advanced infrared technology with long IR range



## ▪ Specification

| Camera                      |  |
|-----------------------------|--|
| Image Sensor                | 1/3" Progressive Scan CMOS   |
| Max. Resolution             | 2560 × 1440  |
| Min. Illumination           | Color: 0.005 Lux @(F1.6, AGC ON), B/W: 0 Lux with IR   |
| Shutter Speed               | 1/3 s to 1/100,000 s   |
| Wide Dynamic Range          | 120 dB   |
| Day & Night                 | IR Cut Filter  |
| Angle Adjustment            | Pan: 0° to 360°, tilt: 0° to 90°, rotation: 0° to 360°   |
| Lens                        |  |
| Lens Type                   | Varifocal lens, motor-driven lens, 2.8 to 12 mm  |
| Focal Length & FOV          | 2.8 to 12 mm: horizontal FOV 102° to 31°, vertical FOV 55° to 18°, diagonal FOV 122° to 36°  |
| Lens Mount                  | Ø14  |
| Iris Type                   | Fixed  |
| Aperture                    | F1.6   |
| Illuminator                 |  |
| IR Wavelength               | 850 nm   |
| IR Range                    | Up to 50 m   |
| Video                       |  |
| Main Stream                 | 50 Hz: 20 fps (2560 × 1440)<br>25 fps (2304 × 1296, 1920 × 1080, 1280 × 720)<br>60 Hz: 20 fps (2560 × 1440)<br>30 fps (2304 × 1296, 1920 × 1080, 1280 × 720) |
| Sub-Stream                  | 50 Hz: 25 fps (1280 × 720, 640 × 480, 640 × 360)<br>60 Hz: 30 fps (1280 × 720, 640 × 480, 640 × 360)   |
| Video Compression           | Main stream: H.265+/H.265/H.264+/H.264<br>Sub-stream: H.265/H.264/MJPEG  |
| Video Bit Rate              | 32 Kbps to 8 Mbps  |
| H.264 Type                  | Baseline Profile/Main Profile/High Profile   |
| H.265 Type                  | Main Profile   |
| Region of Interest (ROI)    | 1 fixed region for main stream   |
| Audio                       |  |
| Audio Compression           | -S: G.711ulaw/G.711alaw/G.722.1/G.726/MP2L2/PCM/AAC  |
| Audio Bit Rate              | -S: 64 Kbps (G.711)/16 Kbps (G.722.1)/16 Kbps (G.726)/32 to 160 Kbps (MP2L2)/16 to 64 Kbps (AAC)   |
| Audio Sampling Rate         | -S: 8 kHz/16 kHz   |
| Environment Noise Filtering | -S: Yes  |
| Network                     |  |
| Protocols                   | TCP/IP, ICMP, HTTP, HTTPS, FTP, DHCP, DNS, DDNS, RTP, RTSP, RTCP, NTP, UPnP™, SMTP, IGMP, 802.1X, QoS, IPv6, Bonjour, IPv4, UDP, SSL/TLS                     |
| Simultaneous Live View      | Up to 6 channels   |
| API                         | Open Network Video Interface, ISAPI  |
| User/Host                   | Up to 32 users. 3 levels: administrator, operator and user   |

|                                  |   |
|----------------------------------|---|
| Client                           | iVMS-4200, Hik-Connect  |
| Web Browser                      | Plug-in required live view: IE 10+<br>Plug-in free live view: Chrome 57.0+, Firefox 52.0+<br>Local service: Chrome 57.0+, Firefox 52.0+   |
| <b>Image</b>                     |   |
| Image Settings                   | Saturation, brightness, contrast, sharpness, AGC, white balance adjustable by client software or web browser  |
| Day/Night Switch                 | Auto, Schedule, Day, Night  |
| Image Enhancement                | BLC, 3D DNR   |
| <b>Interface</b>                 |   |
| Ethernet Interface               | 1 RJ45 10 M/100 M self-adaptive Ethernet port   |
| On-Board Storage                 | Built-in memory card slot, support microSD card, up to 256 GB   |
| Audio                            | -S:<br>1 input (line in), two-core terminal block, max. input amplitude: 3.3 Vpp, input impedance: 4.7 K $\Omega$ , interface type: non-equilibrium<br>1 output (line out), two-core terminal block, max. output amplitude: 3.3 Vpp, output impedance: 100 $\Omega$ , interface type: non-equilibrium |
| Alarm                            | -S: 1 input, 1 output, max. 12 VDC, 30 mA   |
| Reset Key                        | Yes   |
| <b>Event</b>                     |   |
| Basic Event                      | Motion detection, video tampering alarm, exception  |
| Linkage                          | Upload to FTP, notify surveillance center, send email, upload to memory card, trigger recording, trigger capture  |
| <b>General</b>                   |   |
| Power                            | 12 VDC $\pm$ 25%, 0.9 A, max. 11 W, $\varnothing$ 5.5 mm coaxial power plug<br>PoE: 802.3af, Class 3, 36 V to 57 V, 0.36 A to 0.23 A, max. 12.9 W   |
| Camera Material                  | Metal   |
| Camera Dimension                 | $\varnothing$ 105 mm $\times$ 244.4 mm ( $\varnothing$ 4.1" $\times$ 9.6")  |
| Package Dimension                | 315 mm $\times$ 137 mm $\times$ 141 mm (12.4" $\times$ 5.4" $\times$ 5.6")  |
| Camera Weight                    | Approx. 1035 g (2.3 lb.)  |
| With Package Weight              | Approx. 1550 g (3.4 lb.)  |
| Storage Conditions               | -30 $^{\circ}$ C to 60 $^{\circ}$ C (22 $^{\circ}$ F to 140 $^{\circ}$ F). Humidity 95% or less (non-condensing)  |
| Startup and Operating Conditions | -30 $^{\circ}$ C to 60 $^{\circ}$ C (22 $^{\circ}$ F to 140 $^{\circ}$ F). Humidity 95% or less (non-condensing)  |
| Language                         | English, Ukrainian  |
| General Function                 | Anti-flicker, heartbeat, mirror, password protection, privacy mask, watermark, IP address filter  |
| <b>Approval</b>                  |   |
| EMC                              | FCC SDoC (47 CFR Part 15, Subpart B);<br>CE-EMC (EN 55032: 2015, EN 61000-3-2: 2014, EN 61000-3-3: 2013, EN 50130-4: 2011 +A1: 2014);<br>RCM (AS/NZS CISPR 32: 2015);<br>IC VoC (ICES-003: Issue 6, 2016);<br>KC (KN 32: 2015, KN 35: 2015)   |

|                              |  |
|------------------------------|--|
| Safety                       | UL (UL 60950-1);<br>CB (IEC 60950-1:2005 + Am 1:2009 + Am 2:2013, IEC 62368-1:2014);<br>CE-LVD (EN 60950-1:2005 + Am 1:2009 + Am 2:2013, IEC 62368-1:2014);<br>BIS (IS 13252(Part 1):2010+A1:2013+A2:2015) |
| Environment                  | CE-RoHS (2011/65/EU);<br>WEEE (2012/19/EU);<br>Reach (Regulation (EC) No 1907/2006)  |
| Electrical Safety Protection | IP67 (IEC 60529-2013)  |

**▪ Available Model**

- DS-2CD1643G0-IZ (2.8 to 12 mm)
- DS-2CD1643G0-IZS (2.8 to 12 mm)

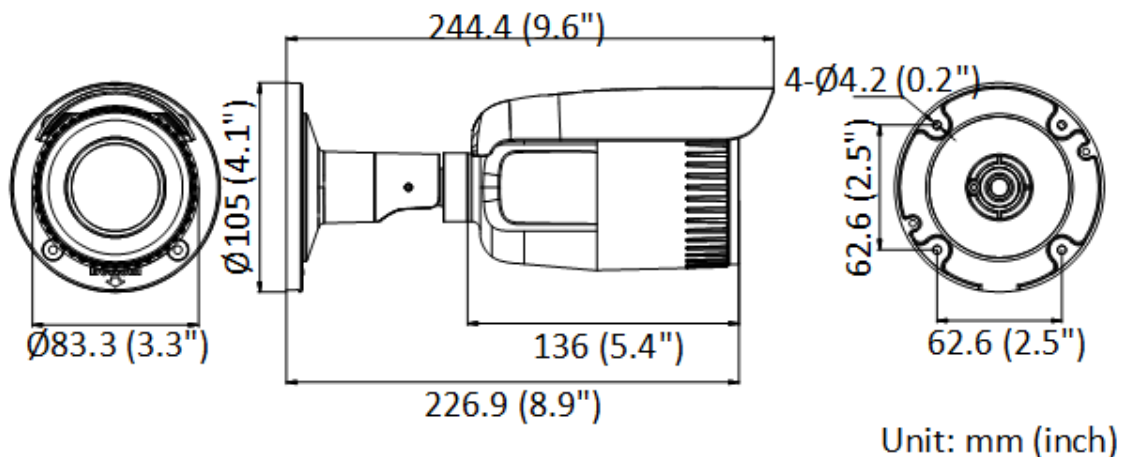
**Typical Application**

Hikvision products are classified into three levels according to their anti-corrosion performance. Refer to the following description to choose for your using environment.

This model has NO SPECIFIC PROTECTION.

| Level                  | Description  |
|------------------------|--|
| Top-level protection   | Hikvision products at this level are equipped for use in areas where professional anti-corrosion protection is a must. Typical application scenarios include coastlines, docks, chemical plants, and more.   |
| Moderate protection    | Hikvision products at this level are equipped for use in areas with moderate anti-corrosion demands. Typical application scenarios include coastal areas about 2 kilometers (1.24 miles) away from coastlines, as well as areas affected by acid rain. |
| No specific protection | Hikvision products at this level are equipped for use in areas where no specific anti-corrosion protection is needed.  |

**▪ Dimension**



▪ **Accessory**▪ **Optional**

| <b>DS-1275ZJ-SUS</b><br><b>Vertical Pole</b><br><b>Mount</b>                      | <b>DS-1275ZJ-S-SUS</b><br><b>Vertical Pole</b><br><b>Mount</b>                    | <b>DS-1280ZJ-S</b><br><b>Junction Box</b>   | <b>DS-1276ZJ-SUS</b><br><b>Corner Mount</b>   | <b>DS-1260ZJ</b><br><b>Junction Box</b>   |
|---|---|---|---|---|
|  |  |  |  |  |

Distributed by

**HIKVISION®****Headquarters**

No.555 Qianmo Road, Binjiang District,  
Hangzhou 310051, China  
T +86-571-8807-5998  
overseasbusiness@hikvision.com

**Hikvision USA**  
T +1-909-895-0400  
sales.usa@hikvision.com

**Hikvision Australia**  
T +61-2-8599-4233  
salesau@hikvision.com

**Hikvision India**  
T +91-22-28469900  
sales@pramahikvision.com

**Hikvision Canada**  
T +1-866-200-6690  
sales.canada@hikvision.com

**Hikvision Thailand**  
T +662-275-9949  
sales.thailand@hikvision.com

**Hikvision Europe**  
T +31-23-5542770  
sales.eu@hikvision.com

**Hikvision Italy**  
T +39-0438-6902  
info.it@hikvision.com

**Hikvision Brazil**  
T +55 11 3318-0050  
Latam.support@hikvision.com

**Hikvision Turkey**  
T +90 (216)521 7070- 7074  
sales.tr@hikvision.com

**Hikvision Malaysia**  
T +601-7652-2413  
sales.my@hikvision.com

**Hikvision UK & Ireland**  
T +01628-902140  
sales.uk@hikvision.com

**Hikvision South Africa**  
Tel: +27 (10) 0351172  
sale.africa@hikvision.com

**Hikvision France**  
T +33(0)1-85-330-450  
info.fr@hikvision.com

**Hikvision Kazakhstan**  
T +7-727-9730667  
nikia.panfilov@hikvision.ru

**Hikvision Vietnam**  
T +84-974270888  
sales.vt@hikvision.com

**Hikvision UAE**  
T +971-4-4432090  
salesme@hikvision.com

**Hikvision Singapore**  
T +65-6684-4718  
sg@hikvision.com

**Hikvision Spain**  
T +34-91-737-16-55  
info.es@hikvision.com

**Hikvision Tashkent**  
T +99-87-1238-9438  
uzb@hikvision.ru

**Hikvision Hong Kong**  
T +852-2151-1761  
info.hk@hikvision.com

**Hikvision Russia**  
T +7-495-669-67-99  
saleru@hikvision.com

**Hikvision Korea**  
T +82-(0)31-731-8817  
sales.korea@hikvision.com

**Hikvision Poland**  
T +48-22-460-01-50  
info.pl@hikvision.com

**Hikvision Indonesia**  
T +62-21-2933759  
Sales.Indonesia@hikvision.com

**Hikvision Colombia**  
sales.colombia@hikvision.com